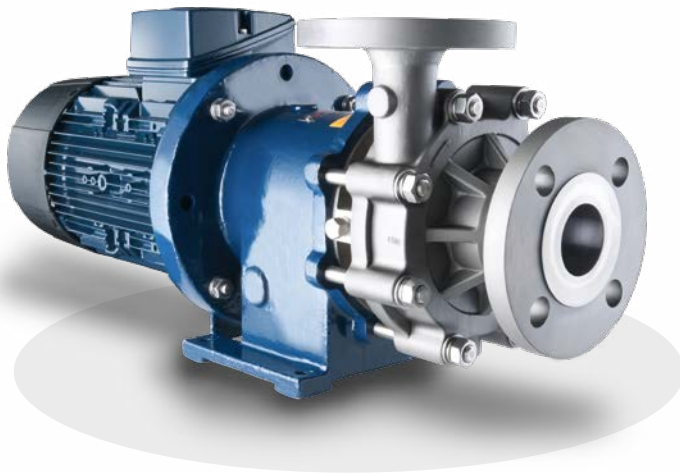
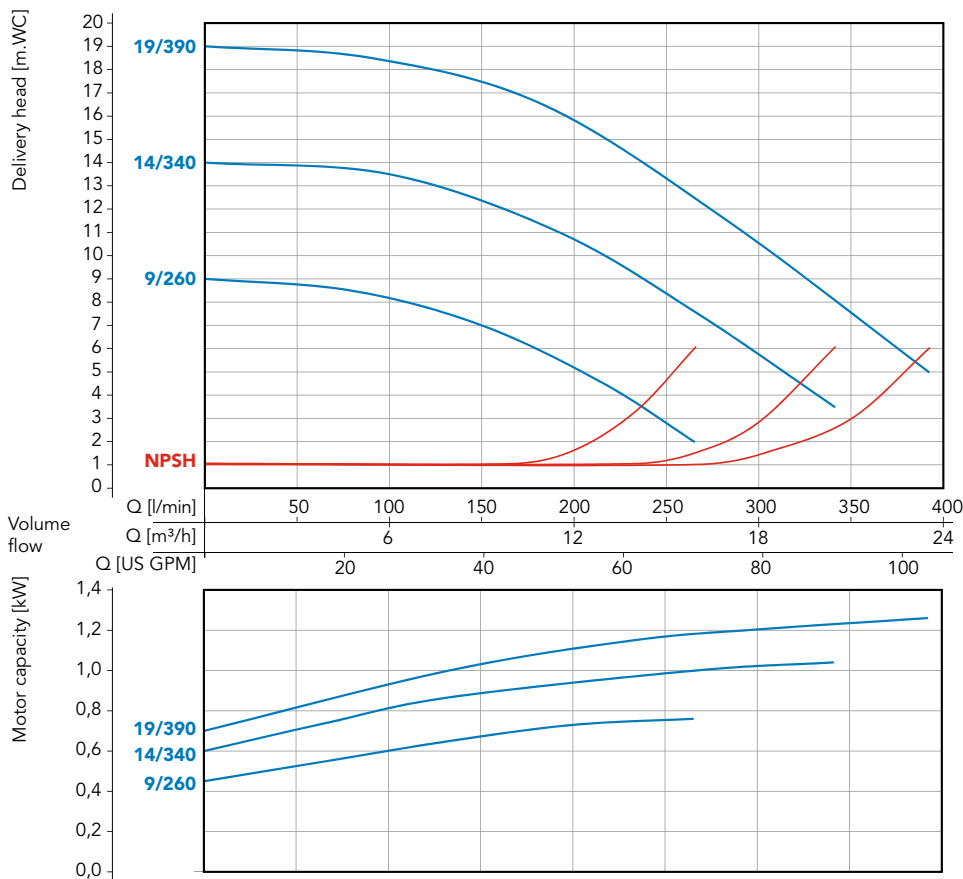


MM type 3



- Without shaft seal
- Robust and casted casing
- CARTRIDGE UNIT for fast and easy maintenance
- Temperature up to 190°C (higher temperatures are possible)
- Close coupled, single stage, back-pullout-design
- Universal DIN/ANSI connection
- Suction port DN 50, discharge port DN 32

Characteristic curve



Determined with water of 20°C;
measured values ± 10%

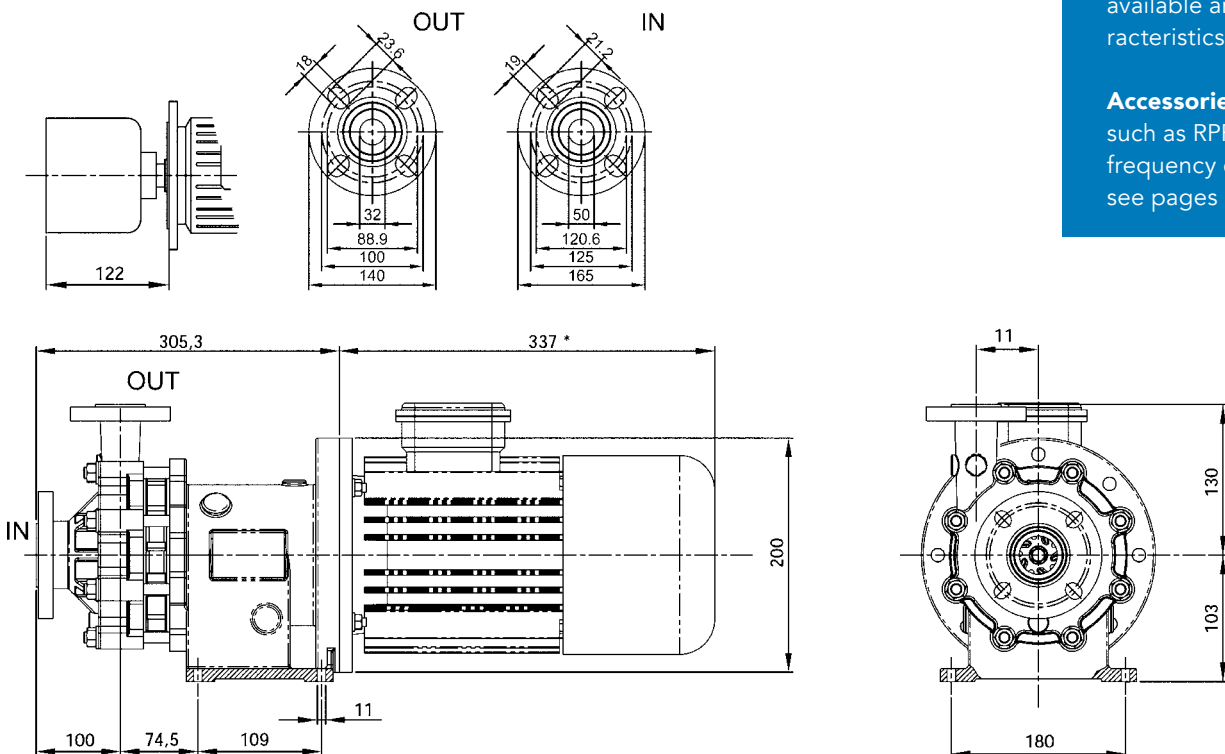
Technical data MM type 3

Size	9/260		14/340		19/390	
Material	Stainless Steel 1.4401 (AISI 316)					
Max. delivery head in [m.WC] at 50Hz	9		14		19	
Max. volume flow in [l/min] at 50Hz	260		340		390	
Max. density in [g/cm ³] at 50Hz *	1.9	2.8	1.4	2.1	1.2	1.7
Motor capacity in [kW]	1.5	2.2	1.5	2.2	1.5	2.2
Current rating (400V, 50Hz) in [A] **	3	4.2	3	4.2	3	4.2
Rated speed in [rpm] at 50Hz	3000					
Suction port	DN 50					
Discharge port	DN 32					
Voltage in [V] ***	230/400 three-phase AC					
Protection class	IP 55					
Max. flow velocity in [m/s]	suction side = 1 / discharge side = 3					
Max. system pressure in [bar]	25/optional 50					
Max. temperature in [°C]	190/optional up to 300					

* approx. at max. volume flow (higher density possible when flow rate is reduced) ** depends on motor supplier

*** other voltages on request

Dimensions in [mm]



Motor dimensions may differ according to manufacture.



Materials

You will find all materials available and their characteristics on page 4.

Accessories

such as RPR control and frequency converters see pages 16.